



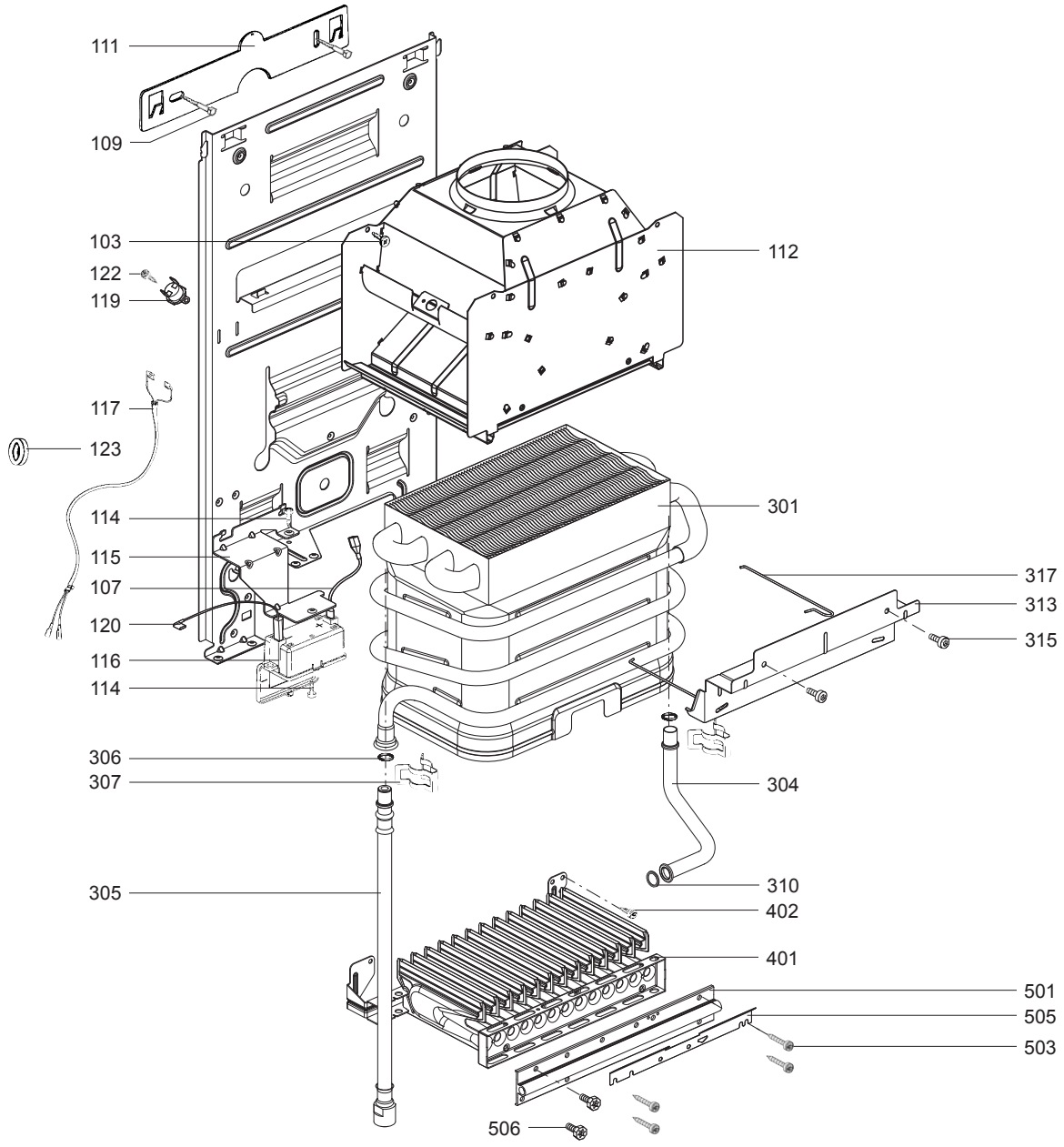
SPARE PARTS EXPLODED VIEW  
INSTANTANEOUS GAS WATER HEATERS  
Model  
**FAST E**

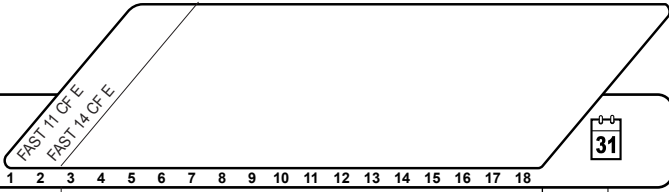
R8202987-07 - 11/09/2013

FAST E

Instantaneous Gas Water Heaters

1	3677014	FAST 11 CF E G20 13 MB RU/UA	04-2006	-
2	3677016	FAST 14 CF E G20 13 MB RU/UA	04-2006	-
Col	Reference	Model type	Begin	End

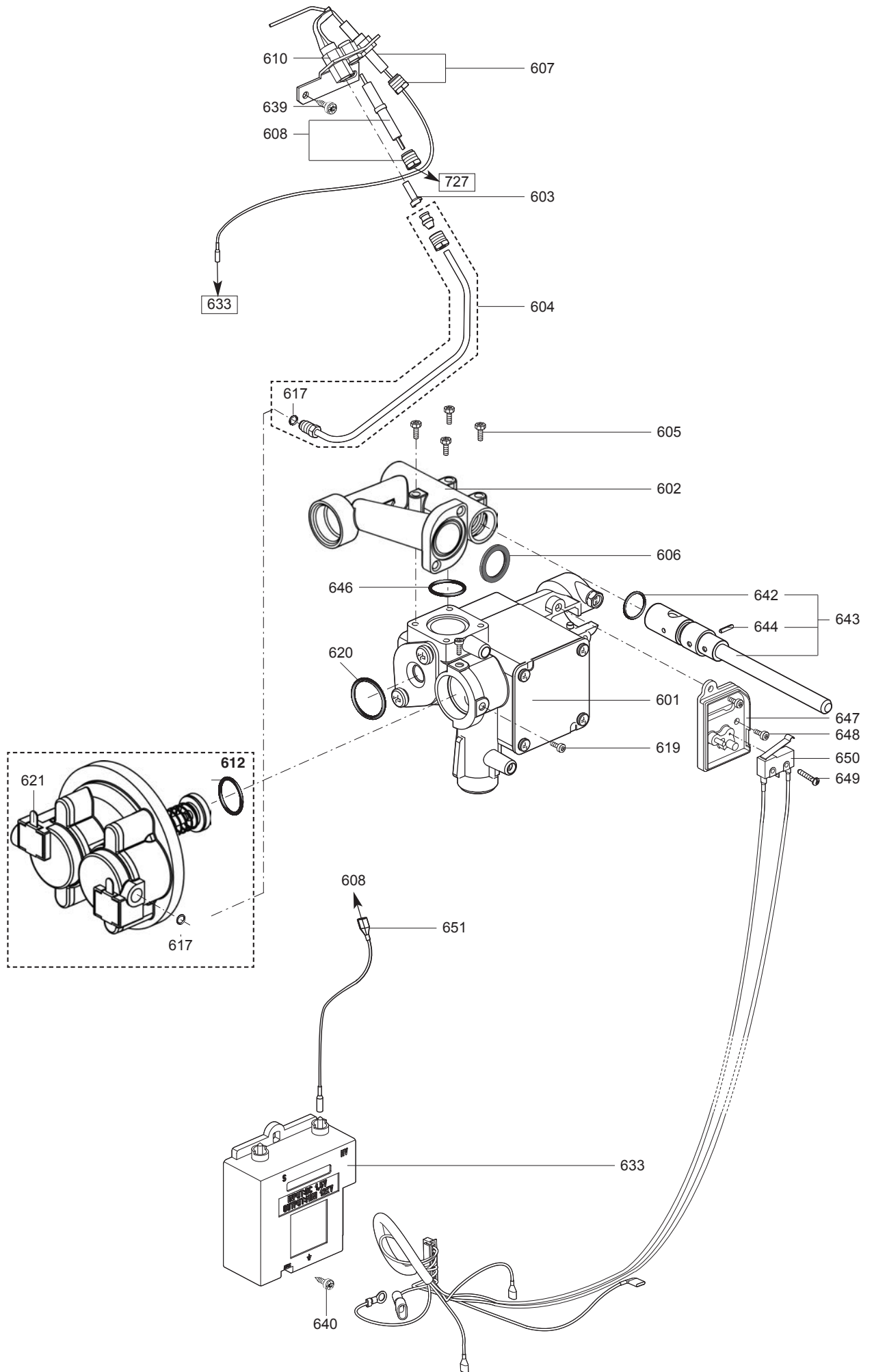


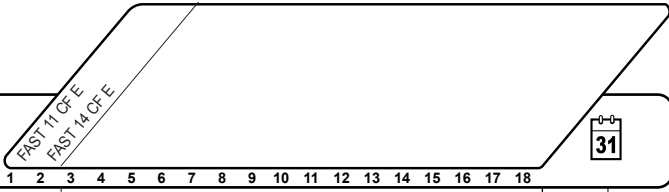


Description	Manf. Pt. N	Type	FAST ITCPE FAST ITCPE																	
			1	2	3	4	5	6	7	8	9	10	11	12	13	14	15	16	17	18
<b>0100 CHASSIS</b>																				
0103 TAPPING SCREW CBLX D: 4.2-9.5	61010125		•	•																
0107 CABLE	61304304		•	•																
0109 WOOD SCREW	60025617-03		•	•																
0111 HOOKING BRACKET	61007192		•	•																
0112 DRAUGHT DIVERTER	61312867		•																	
DRAUGHT DIVERTER	61313037		•																	
0114 TAPPING SCREW D: 3.5-9.5	61015329		•	•																
0115 FIXING BRACKET	61313896		•	•																
0116 BATTERY BOX	61012714		•	•																
0117 SAFETY CABLE	60000254		•	•																
0119 OVERHEAT THERMOSTAT 135°C	60000256		•	•																
0120 CABLE	61314208		•	•																
0122 TAPPING SCREW CBLZ D: 3.5-6.5	60031521-03		•	•																
0123 FERRITE	61014390		•	•																
<b>0300 HEATING BODY</b>																				
0301 HEATING BODY	61313878		•																	
HEATING BODY	61313901		•	•																
0304 COLD WATER TUBE	60001168		•															07/08		
COLD WATER TUBE	60001169		•	•														07/08		
COLD WATER TUBE	61313435		•																06/08	
COLD WATER TUBE	61313437		•	•															06/08	
0305 HOT WATER FLEXIBLE PIPE	61313860		•	•																
0306 O-RING D: 12.3-2.4	60024164-47		•	•																
0307 CLIP	61001674		•	•																
0310 O-RING D: 12.3-2.4	60024164-47		•	•														07/08		
WASHER D: 18.4-12.2-1.5	60061855-14		•	•															06/08	
0313 BEARING PLATE	61312812		•																	
BEARING PLATE	61312592		•	•																
0315 TAPPING SCREW CBLX D: 4.2-9.5	61010125		•	•																
0317 FASTENER	61315211		•	•																
<b>0400 BURNER HEAD</b>																				
0401 BURNER HEAD	60000268		•	•																
BURNER HEAD	61313219		•	•																
0402 TAPPING SCREW CBLX D: 4.2-9.5	61010125		•	•																
<b>0500 MANIFOLD</b>																				
0501 MANIFOLD 13 INJ. G20	60000345	G20	•	•																
MANIFOLD 16 INJ. G20	60000347	G20	•	•																
0503 TAPPING SCREW CBLX D: 4.2-25	61010128		•	•																
0505 DEFLECTOR	61314788		•	•																
0506 SCREW HX M 5-12	61010131		•	•																

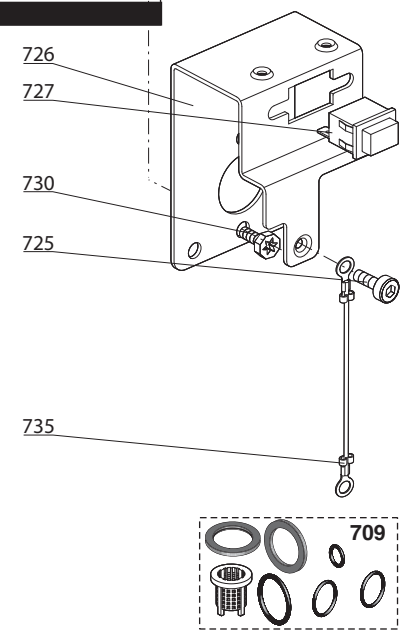
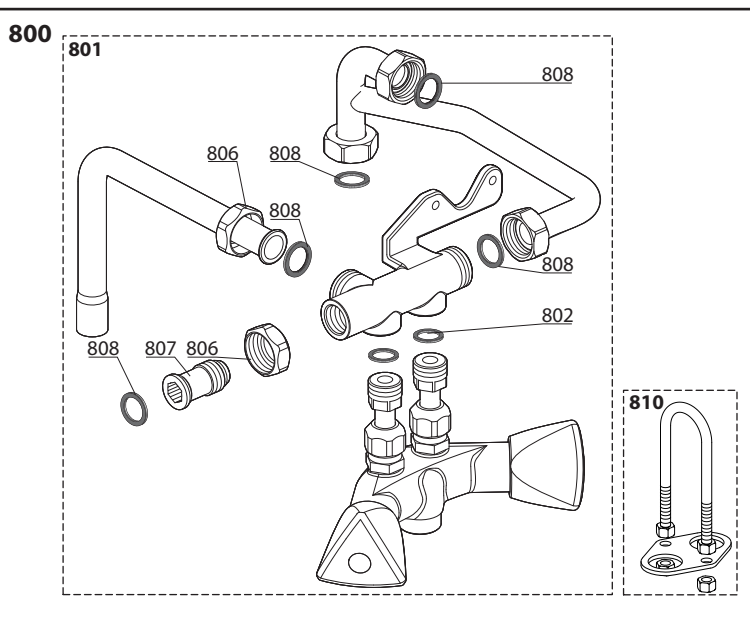
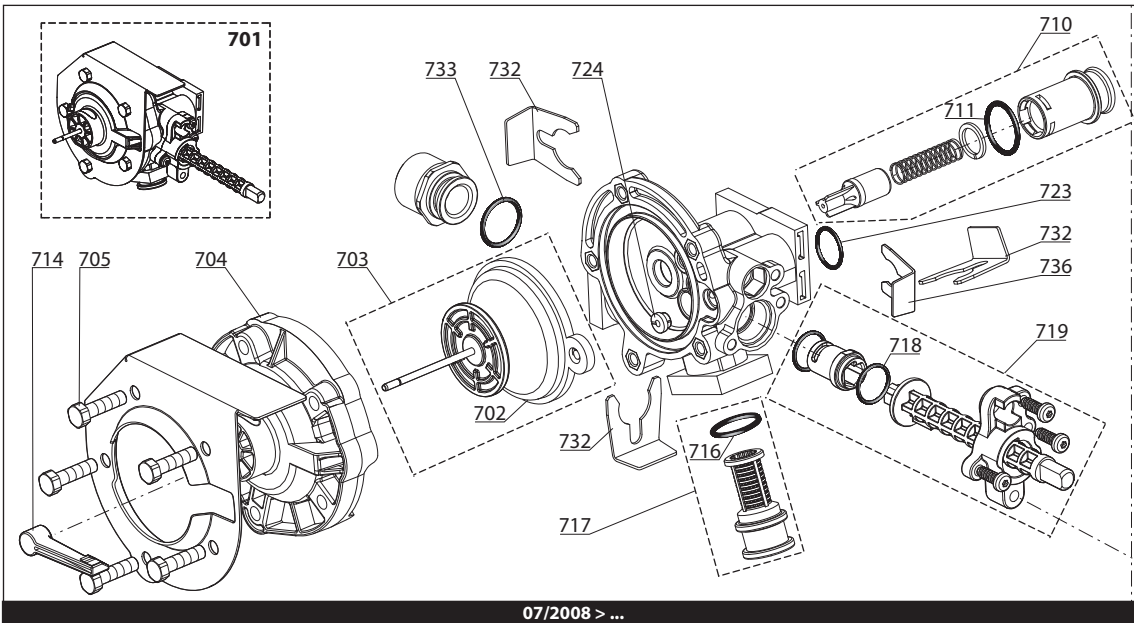
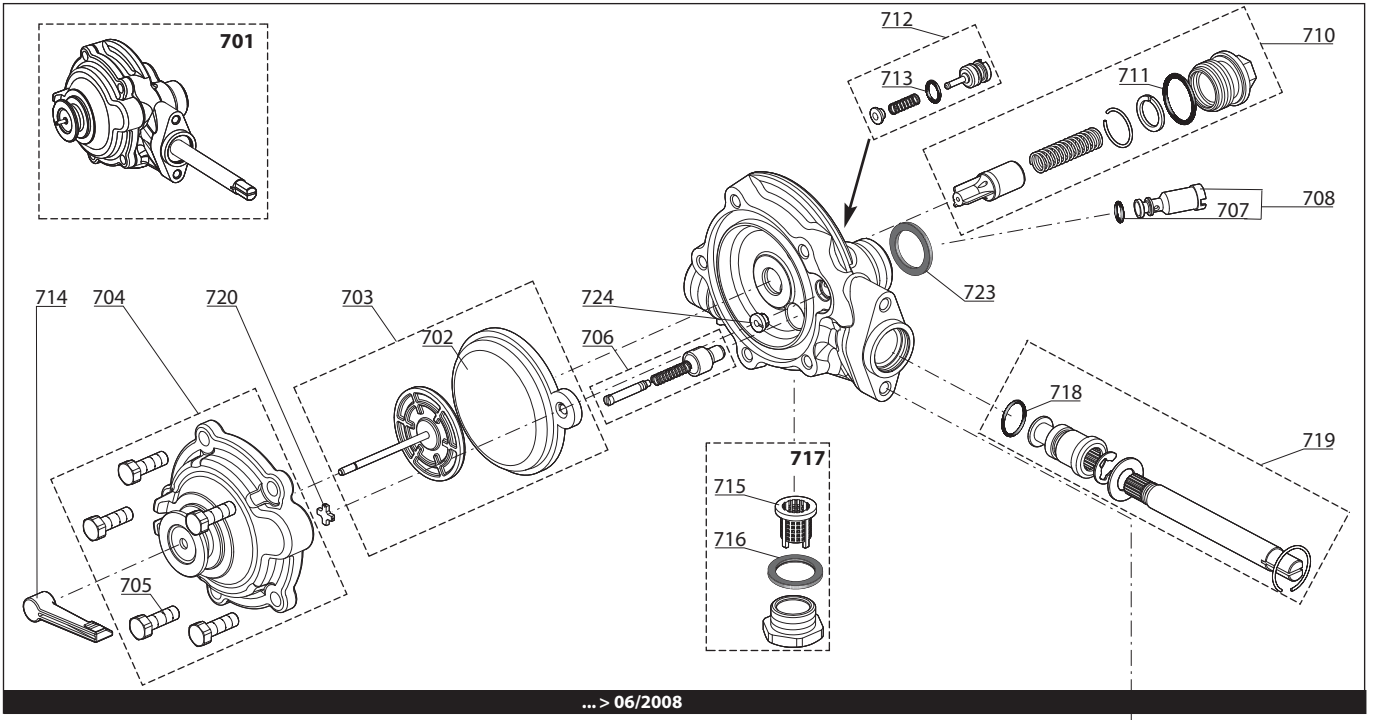
FAST E

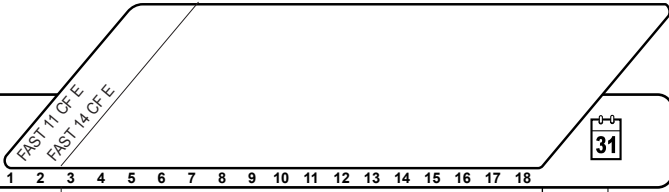
Instantaneous Gas Water Heaters





☉➔	Description	Manf. Pt. N	Type	FAST I.C.P.E. FAST M.C.P.E.																	
				1	2	3	4	5	6	7	8	9	10	11	12	13	14	15	16	17	18
<b>0600</b>	<b>GAS SECTION</b>																				
0601	GAS VALVE NAT	61313886	G20	●	●																
	GAS VALVE NAT	60001307	G20	●	●																
0602	BURNER BASE	61313637		●																	
	BURNER BASE	61313638			●																
0603	PILOT INJECTOR	60000348	G20	●	●																
0604	PILOT TUBE KIT	60000044		●	●																
0605	SCREW HSX M 4-25	61313875		●	●																
0606	GASKET (/Manifold)	60001309		●	●																
0607	IONIZATION ELECTRODE	60000045		●	●																
0608	ELECTRODE & LEAD ASSY	60000039		●	●																
0610	PILOT	60000640		●	●																
0612	GAS VALVE	60000055		●	●																
0617	SHEET GASKET D: 6.9-2.7-1	60022838-09		●	●																
0619	SCREW HSX M 4-8	61016449		●	●																
0620	O-RING D: 27-1.5	60001182		●	●																
0621	GREEN SOLENOID VALVES	60001183		●	●																
0622	O-RING D: 17.5-2.5	60021061-43		●	●																
0633	ELECTRICAL BOX	61313604		●	●																
0639	TAPPING SCREW CBLX D: 4.2-25	61010128		●	●																
0640	TAPPING SCREW D: 3.5-9.5	61015329		●	●																
0641	TAPPING SCREW CBLX D:4.2-12.5	61010847		●	●																
0642	O-RING D: 10.5-2.7	60021061-15		●	●																
0643	SELECTOR OF POWER	61400320	G20	●	●																
0644	PIN	61314802		●	●																
0646	O-RING D: 18-1.8	61313634		●	●																
0647	MICROSWITCH SUPPORT	61315462		●	●																
0648	SCREW HSX M 3-6	61314786		●	●																
0649	SCREW D: 2.2-12	61301906		●	●																
0650	WIRE ASSEMBLY + MICRO SWITCH	60001174		●	●																
0651	ELECTRODE CABLE	61314110		●	●																

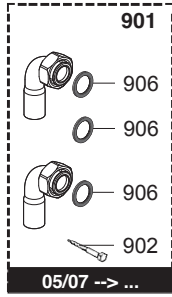
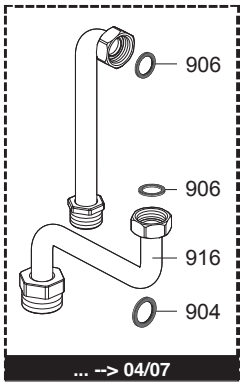




☉⇒	Description	Manf. Pt. N	Type	FAST I/C P/E FAST M/C P/E																	
				1	2	3	4	5	6	7	8	9	10	11	12	13	14	15	16	17	18
<b>0700</b>	<b>WATER SECTION ASSY</b>																				
0701	WATER SECTION	60001039		●															07/08		
	WATER SECTION	60001040			●														07/08		
	WATER SECTION	61313094		●															06/08		
	WATER SECTION	61313095			●														06/08		
0702	DIAPHRAGM	61316184		●	●																
0703	WATER SECTION REPAIR KIT	61400383		●	●																
0704	COVER	61400386		●	●														06/08		
	COVER	60001043		●	●														07/08		
0705	SCREW H M 5-16	61316211		●	●														06/08		
	SCREW M 5-19	60001041		●	●														07/08		
0706	WATER THROTTLE ASSY	61400382		●	●														11/05 06/08		
0707	O-RING D: 3.4-1.8	61316255		●	●																
0708	VENTURI	61400387		●	●														06/08		
0709	WATER SECTION GASKETS KIT	61400390		●	●																
0710	WATER GOVERNOR KIT	60001164		●															07/08		
	WATER GOVERNOR KIT	60001165			●														07/08		
	WATER GOVERNOR KIT	61400384		●															06/08		
	WATER GOVERNOR KIT	61400385			●														06/08		
0711	O-RING D: 13.94-2.62	61316176		●	●														06/08		
	O-RING D:15.54-2.62	60001166		●	●														07/08		
0712	BY-PASS VALVE KIT	61316253		●	●														06/08		
0713	O-RING D: 5.5-1.8	61316224		●	●																
0714	OPERATING LEVER	61316247		●	●																
0715	WATER FILTER	61316171		●	●																
0716	O-RING D: 13.94-2.62	61316176		●	●														07/08		
	SHEET GASKET D: 21-16-1.5	61316207		●	●														06/08		
0717	PLUG KIT	60001159		●	●														07/08		
	PLUG KIT	61400381		●	●														06/08		
0718	O-RING D: 12-2	60001162		●	●														07/08		
	O-RING D: 9.5-1.5	61316254		●	●														06/08		
0719	TEMPERATURE SELECTOR ASSY	60001160		●	●														07/08		
	TEMPERATURE SELECTOR ASSY	61400388		●															06/08		
	TEMPERATURE SELECTOR ASSY	61400389			●														06/08		
0720	VALVE	61316182		●	●																
0723	O-RING D: 12.3-2.4	60024164-47		●	●														07/08		
	WASHER D: 18.4-12.2-1.5	60061855-14		●	●														06/08		
0724	SLOW IGNITION DEVICE	61316206		●	●																
0725	TAPPING SCREW CBLX D: 4.2-25	61010128		●	●																
0726	SUPPORT BRACKET	61313507		●	●																
0727	BUTTON	61314081		●	●																
0730	SCREW CBLXS M 5-12	61301928		●	●														07/08		
	SCREW HSX M 5-8	61302631		●	●														06/08		
0732	CLIP	60001163		●	●																
0733	O-RING D: 13.94-2.62	61316176		●	●																
0735	EARTH WIRE	60001171		●	●																
0736	CLIP	60001170		●	●																
<b>0800</b>	<b>MIXING BATTERY</b>																				
0801	MIXING BATTERY	60000030		●	●																
0802	SHEET GASKET D: 14.8-10.3-1.5	60061854-11		●	●																
0806	NUT 1/2" THICK: 10	60020747-38		●	●																
0807	COLD WATER CONNECTION	60037186		●	●																
0808	WASHER D: 18.4-12.2-1.5	60061855-14		●	●																
0810	KIT BEARING MIXING BATTERY	60001311		●	●																

Instantaneous Gas Water Heaters

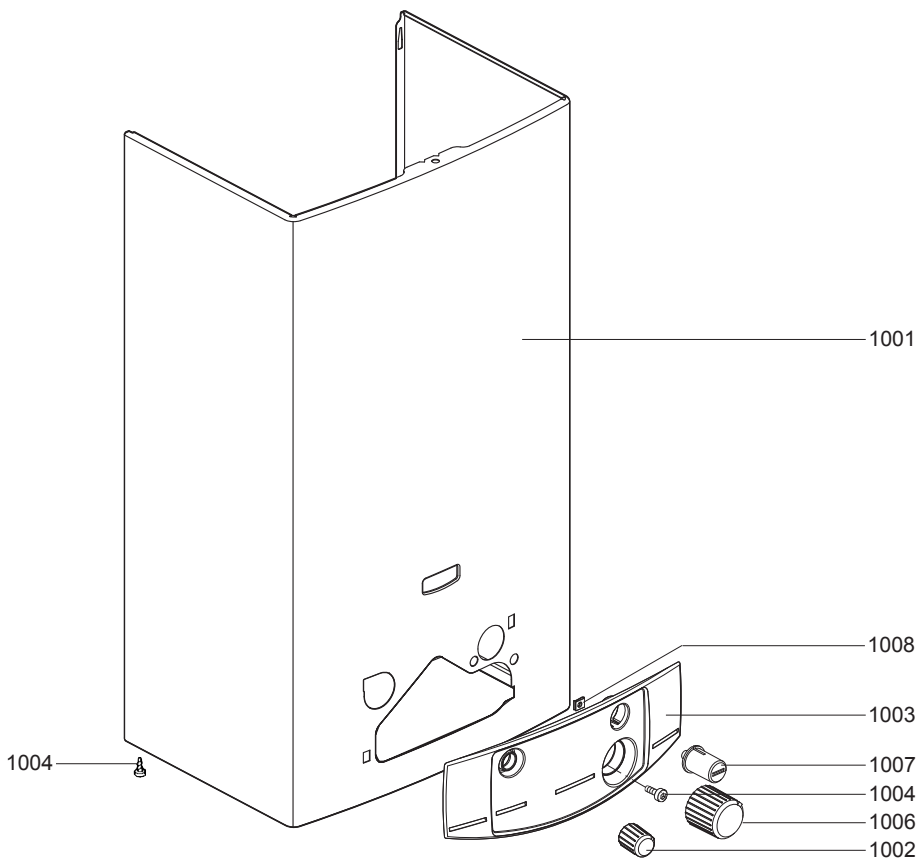
900



1000

FAST E

Instantaneous Gas Water Heaters







## LIST OF THE ABBREVIATIONS

HW .....	: Hot water.
CW .....	: Cold water.
C .....	: Ceramic resistance (normal heating).
Ca .....	: Ceramic resistance (accelerated heating)
TP .....	: Immersion heater.
1F .....	: With fittings.
2F .....	: Without fittings.
3F .....	: With fittings and another outlet connection.
AMI .....	: With mixing valve.
SMI .....	: Without mixing valve.
PUISS .....	: Power of th appliance.
PN .....	: Appliance with normal pression.
LP .....	: Appliance with low pression.
PV .....	: Appliance with variable power.
PF .....	: Appliance with fixed power.

## IDENTIFICATION PLATE

### SERIAL NUMBER

<b>10 Characters :</b>	04 05 125 011		
		Sequential number	
		Manufacturing day	
		Year of manufacture	
<b>11 Characters :</b>	1 95 065004 - 31		
Month of manufacture :		Technical number of the appliance	
from 1 to 9 → Jan. to Sep.,		Sequential number	
O → Oct., N → Nov.,		Year of manufacture	
D → Dec.			
<b>19 Characters :</b>	08 05 0013199 900640031		
Year of manufacture		Product reference	
Month of manufacture		Sequential number	
<b>20 Characters :</b>	3675007 XX 2 07 070 00315		
Product reference		Sequential number	
Millenium of manufacture		Manufacturing day	
		Year of manufacture	
<b>21 Characters :</b>	3675007 XX 07 070 0000315		
Product reference		Sequential number	
Year of manufacture		Manufacturing day	

The indications mentioned on the prices, commercial or technical literature and the scheme are written for your guidance and are available at a given time. The CONSTRUCTOR retains the power to modify the presentation, the form, the size, the conception or the material of the products.